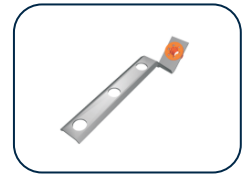


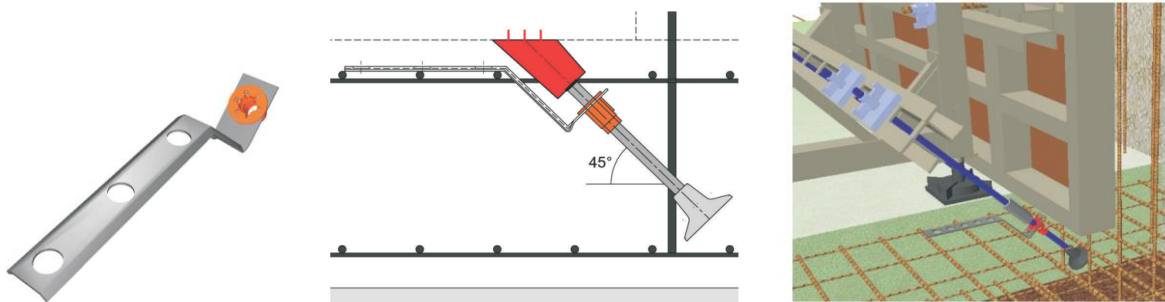
PLAKA – DWG FOOT

Anchor holder for unilateral formwork
REF 04.03.04 - Version V01 - 11/08/2020



Description

The anchor holder for unilateral formwork is a built-in system that needs to be integrated into the floor slab at the right place and which also allows the smoothing of the concrete floor. This anchor will hold firmly the formwork of the concrete wall poured in second phase. The DWG FOOT system exists for all available diameters of the Dywidag bars.



Installation instructions

The system consists of several components:

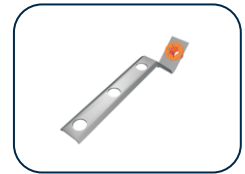
| | | |
|---|--|-------------------------|
| <ul style="list-style-type: none"> The holder that has to be fixed to the reinforcement of the floor slab, with tying wire or a welding point. | | <p>RB511541</p> |
| <ul style="list-style-type: none"> A Dywidag rod to insert in the hole of the provided holder. | | <p>DY15050</p> |
| <ul style="list-style-type: none"> Screw the anchor plate on the Dywidag bar. | | <p>KU15F3074</p> |
| <ul style="list-style-type: none"> A protection conical stop placed on top of the Dywidag bar allowing the pouring of the concrete and the smoothing of the slab | | <p>RB511542</p> |
| <ul style="list-style-type: none"> An extraction tool to remove the cone from the holder | | <p>RS514042</p> |

©Copyright protected

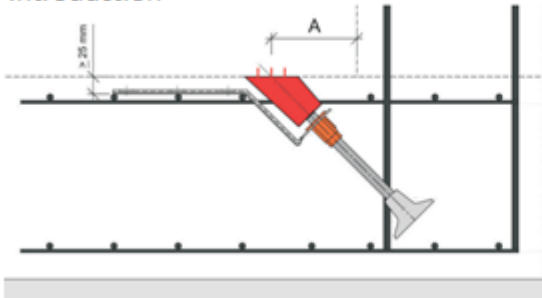
This sheet, written with great care, supersedes all previous versions. The technical information on the design, models, illustrations, design values and specifications are believed to be accurate. We make no warranties (expressed or implied) as to its accuracy and assumes no liability in connection with non suitable use of this product. We reserve the right to modify the contents of this form without prior notice.

PLAKA – DWG FOOT

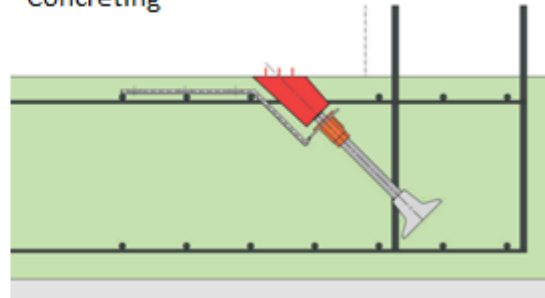
Anchor holder for unilateral formwork
REF 04.03.04 - Version V01 - 11/08/2020



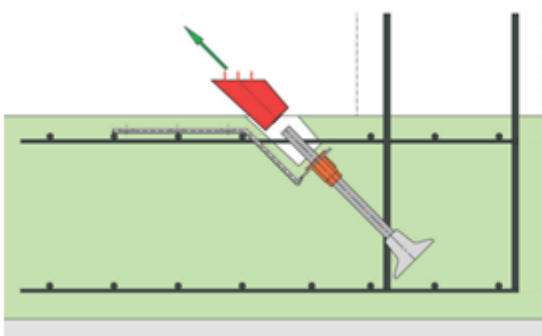
Introduction



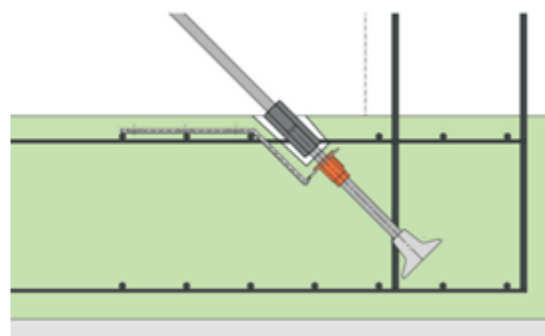
Concreting



Remove the cone



Attach



Once the floor slab has been smoothed, and the cone has been removed, a coupling sleeve can be screwed on the Dywidag bar in order to couple the formwork tie rod.

Application fields

The anchor holder is used in case of a one-sided shuttering against an existing wall or secant pile walling.

Dimensions

- Anchoring depth

If the following assumptions are met :

- Concrete quality : C25/30,
- Concrete age at the moment of loading : 28 days,
- Minimal diameter of the anchor plate : 60 mm,
- Minimal upper reinforcement layer : 150/150/10/10,
- Center distance of the Dywidag bars is bigger than 2 x minimal anchoring depth,

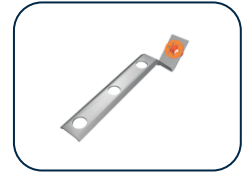
then the anchoring depth can be taken from the table below :

©Copyright protected

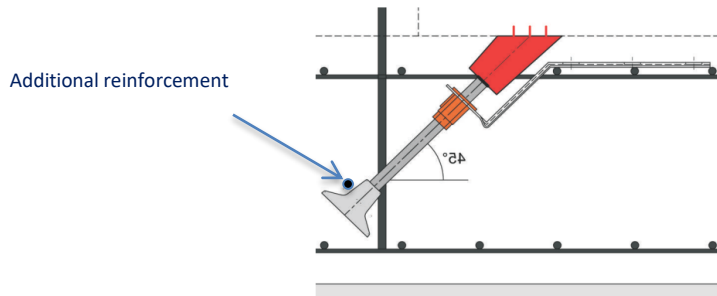
This sheet, written with great care, supersedes all previous versions. The technical information on the design, models, illustrations, design values and specifications are believed to be accurate. We make no warranties (expressed or implied) as to its accuracy and assumes no liability in connection with non suitable use of this product. We reserve the right to modify the contents of this form without prior notice.

PLAKA – DWG FOOT

Anchor holder for unilateral formwork
REF 04.03.04 - Version V01 - 11/08/2020



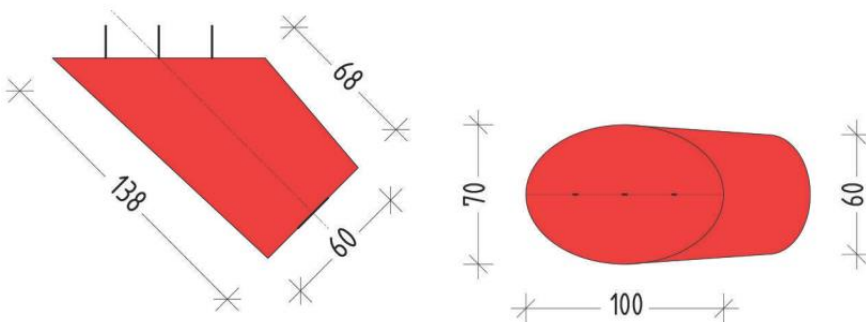
| Anchoring depth | DWG 15 | DWG 20 | DWG 26 |
|--------------------------|--------|--------|----------------|
| Minimal anchoring depth | 30 cm | 40 cm | 45 cm |
| Additional reinforcement | No | No | Diameter 20 mm |



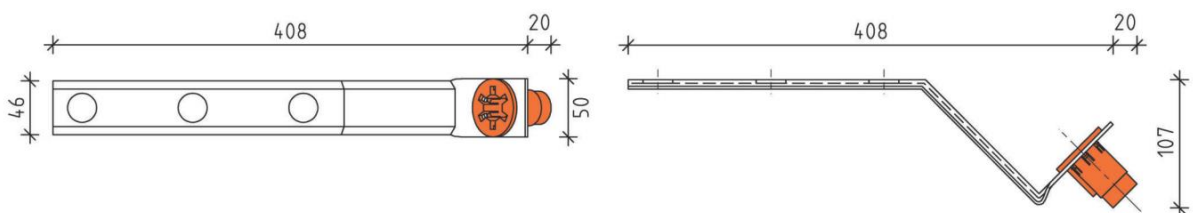
If one of the abovementioned assumption is not met, de anchoring depth will be taken from the following table :

| Anchoring depth | DWG 15 | DWG 20 | DWG 26 |
|--------------------------|--------|--------|----------------|
| Minimal anchoring depth | 50 cm | 70 cm | 100 cm |
| Additional reinforcement | No | No | Diameter 20 mm |

- Protection conical stop



- Anchor holder



©Copyright protected

This sheet, written with great care, supersedes all previous versions. The technical information on the design, models, illustrations, design values and specifications are believed to be accurate. We make no warranties (expressed or implied) as to its accuracy and assumes no liability in connection with non suitable use of this product. We reserve the right to modify the contents of this form without prior notice.